

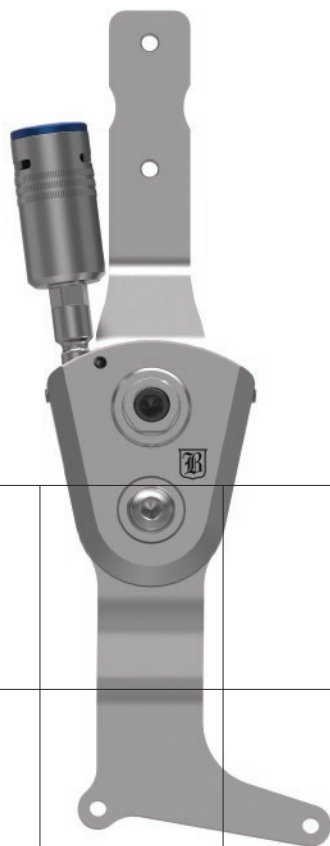
TRIPLE ACTION[®]

Small Adult Ankle Joint

(16mm Systems)



Product Data Sheet



Features

- Independent adjustment of:
 - Ankle alignment
 - Plantarflexion/dorsiflexion range of motion
 - Plantarflexion/dorsiflexion spring stiffness
- Independent ankle alignment range of $\pm 10^\circ$
- (4) high stiffness spring options included with booster spring models (Figure 1)
- Compatible with unilateral or bilateral orthotic designs

Indications

- Lower limb functional deficits as a result of:
 - Stroke
 - Cerebral palsy
 - Multiple sclerosis
 - Spina bifida
 - Spinal cord injury
 - Charcot-Marie-Tooth
 - Other neuromotor deficits

Contraindications

- Patient weight greater than 100 kg (220 lb)

Model 3B76 Component Selection

WEIGHT LIMITS (KG/LBS)	Unilateral	90 kg / 200 lb							
	Bilateral	100 kg / 220 lb							
GAIT PHASE WHERE ABNORMALITIES OCCUR	Booster Configuration								
		No Booster	Plantarflexion Resist Booster	Dorsiflexion Resist Booster	Plantarflexion & Dorsiflexion Resist Boosters				
	Early Stance Phase	NORMAL		ABNORMAL		NORMAL		ABNORMAL	
	Late Stance Phase	NORMAL		NORMAL		ABNORMAL		ABNORMAL	
Leg	Either	Right	Left	Left	Right	Right	Left	Left	Right
Side		Lateral	Medial	Lateral	Medial	Lateral	Medial	Lateral	Medial
Order No.	3B76-A0	3B76-A1	3B76-A2	3B76-A2	3B76-A2	3B76-A1	3B76-A3	3B76-A3	

Fabrication Options

Thermoplastic

Unilateral*

5mm (3/16") Polypropylene

Bilateral

5mm (3/16") Polypropylene

Composite

Unilateral

Wet Lamination like **Becker BCO Shadow™, Max™** or PrePreg

Bilateral

Wet Lamination like **Becker BCO Lite™, Shadow™, Max™** or PrePreg

*Important: Thermoplastic unilateral AFOs require Camber Axis Triple Action[®] Companion Joint, or other free motion ankle joint

Product Data Sheet

Stirrup Options

Lateral Stirrup for Thermoplastic & Wet Lamination
 Models 3B76-LATR-1 & 3B76-LATL-1

Medial Stirrup for Thermoplastic & Wet Lamination
 Models 3B76-MEDR-1 & 3B76-MEDL-1

Universal Y-Stirrup for Pre-preg
 Model 3B76-Y-1



Accessories

Fabrication Tool Kit
 Model 3B00-FTK

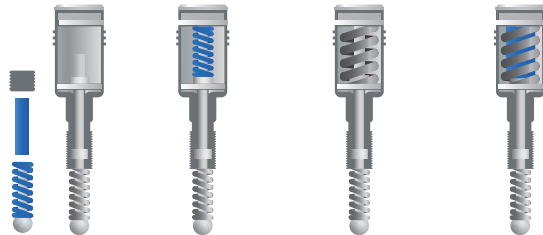
The fabrication tool kit includes fabrication dummies, alignment axis, attachment hardware and wrenches.



Camber Axis Triple Action® Companion Joint
 Model 751-ATA



Spring Configurations



SPRING CONFIGURATION	1	2	3	4
Booster Required	No	Yes	Yes	Yes
Bottom Spring	Standard	Standard	Standard	Standard
Top Spring	None	Standard	High	High & Standard
Stiffness	X1 (low)	X2 (moderate)	X4 (high)	X5 (very high)
Max. ROM	10°	10°	10°	10°

*Figure 1



*The Booster Spring Unit cannot be removed from the Triple Action component housing. Doing so will destroy the Booster and void the product warranty.